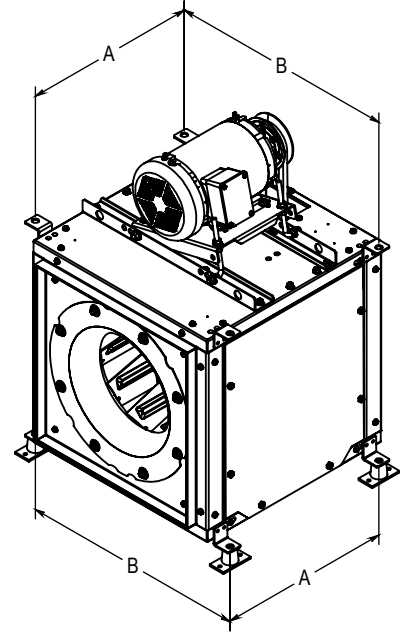
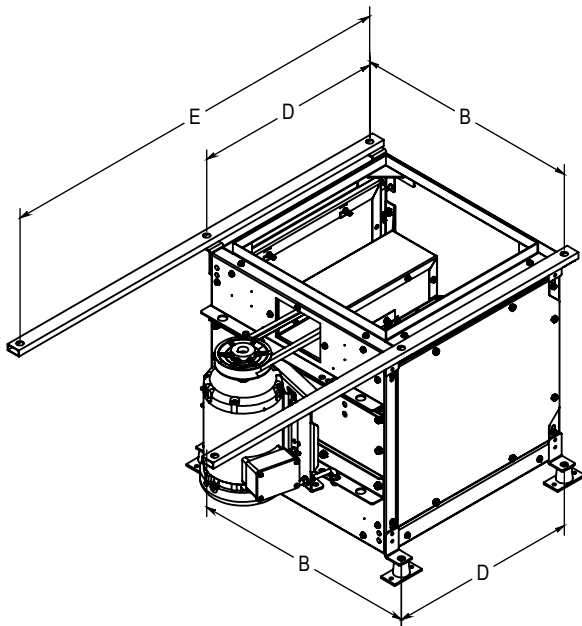


BELT DRIVE HORIZONTAL/VERTICAL HANGING OR BASE MOUNT

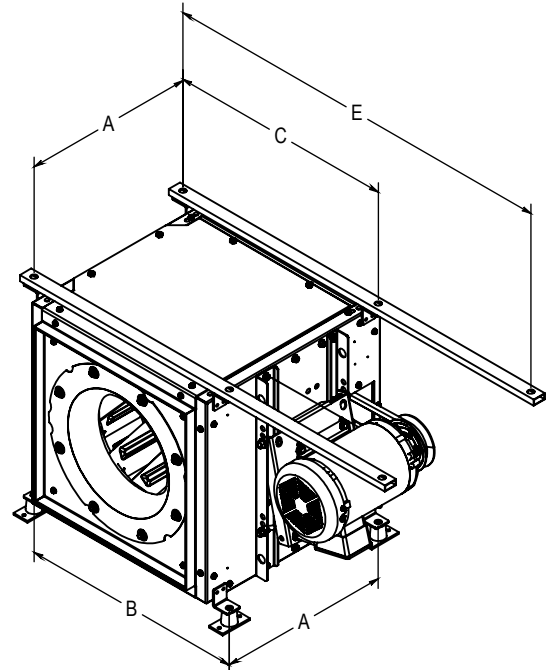
BELT DRIVE MOUNTING DIMENSIONS					
Product Size	A	B	C	D	E
135	17 1/2	23	23	19 1/5	Hanging rails not included, Supplied by others
150	20	25 1/3	25 2/5	21 4/7	
165	22 2/9	27 5/8	27 5/7	23 7/8	
182	25	30 1/5	30 2/7	26 4/9	
200	26 1/2	33	33	29 1/8	
222	30 2/5	36 1/6	36 1/4	32 1/3	
245	30 1/7	38 2/5	38 1/2	34 4/7	
270	32 4/7	42 3/5	42 2/3	37 3/4	
300	33	47	47	42	
330	36 5/6	51 2/5	51 1/2	46 4/7	
365	41 1/3	56 2/5	56 1/2	51 4/7	
402	46	62	62	57	



BELT DRIVE HORIZONTAL HANGING OR BASE MOUNT



BELT DRIVE VERTICAL HANGING OR BASE MOUNT



BELT DRIVE HORIZONTAL HANGING OR BASE MOUNT